

Horizon Pillowcase™

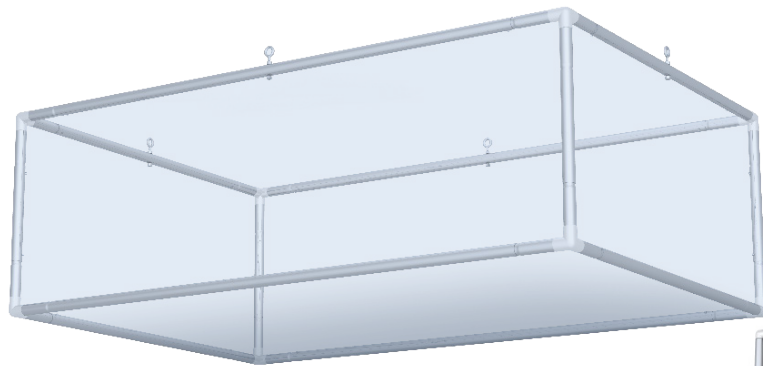
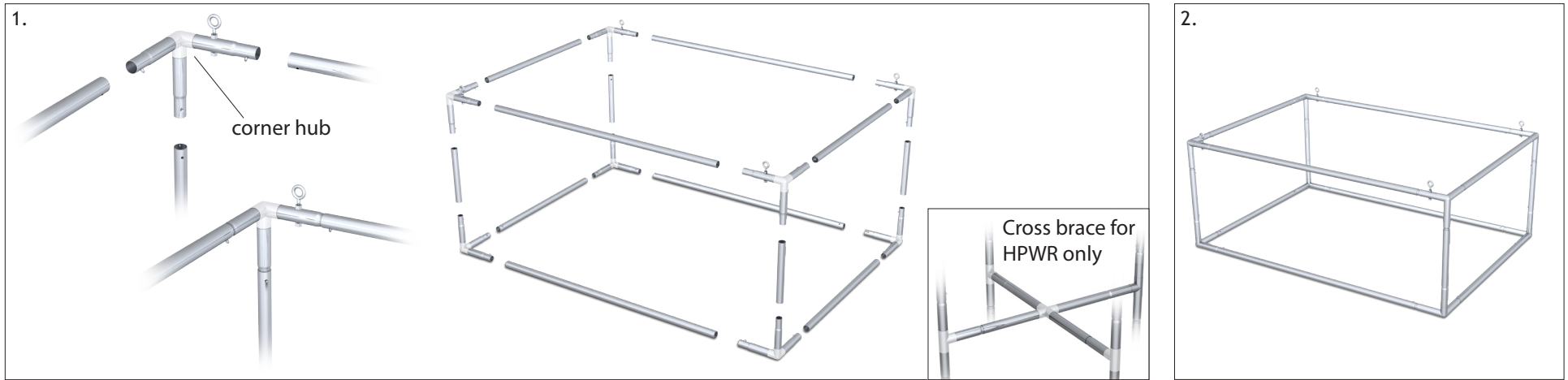
1. Press swedged uprights and crossbars into respective corner hub until push buttons click into place.
2. Once assembled, slide pillowcase graphic over frame and zipper it closed to complete assembly (graphic not shown).

NOTE: Although the unit shown below may differ from your product, assembly remains the same. Tower models DO NOT have eyebolts.

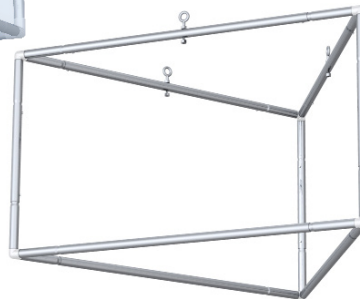
Applicable Products:

Hanging Models
HPR - Rectangle
HPC - Cube
HPT - Triangle

Tower Models
HPWR - Rectangle
HPWT - Triangle



HPR - Rectangle



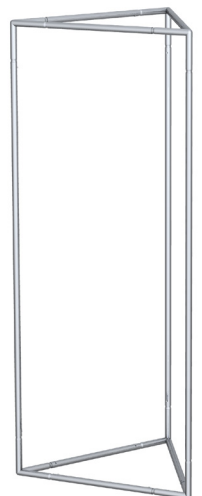
HPT - Triangle



HPC - Cube



HPWR - Rectangle



HPWT - Triangle